

Datenblatt / *data sheet*

**1. Global product description**

The transport module unit consists of:

- Card entrance
- Transport module, contactless write/read module.

The **card entrance** is the unit where the customer picks up his card / ticket.

The **transport module** is designed to feed, capture or return cards / tickets to the customer. Contactless cards according to ISO 14443 can be processed.

The product 920-01010100000 developed by ddm hopt+schuler, is a transport module for using in: maut collection, parking, transport, access.

**2. Mechanical characteristics**

**Generally:**

- transport speed: 400 mm/sec.
- compact design (l x w x h): 80 x 89,8 x 60 mm
- weight: appr. 330g

**3. Electrical characteristics**

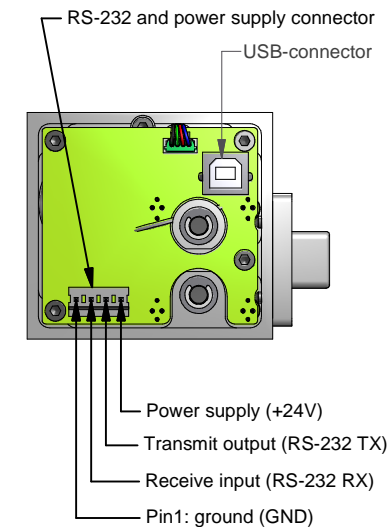
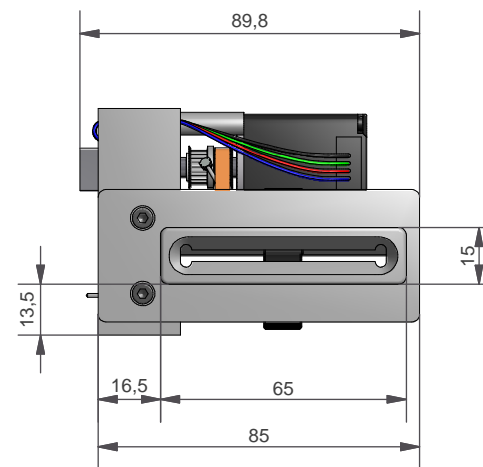
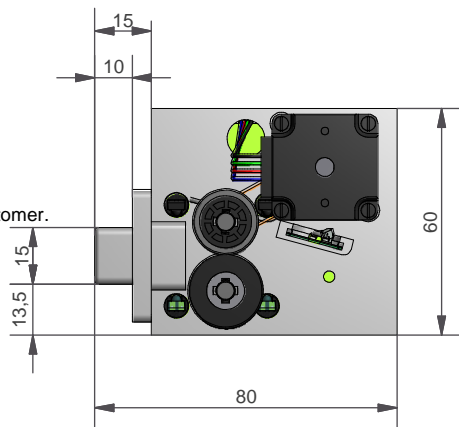
- Power Requirements: 24V DC +/-10%, 5A
- Interface: RS 232
- Connector: 4-poles

**4. Climatic conditions**

- Storage temperature: -20°C...+70°C
- Operating temperature: +5°C...+50°C
- Humidity: 10...90% relative humidity, not condensing
- Air pressure: 70...106 kPa

**5. Possible Transaction**

- Input the card / ticket from the front
- processing of the card / ticket
- issue the card / ticket to the customer
- If no one picks up the cards / tickets, capture it into the area behind the unit.



Required mating connector:  
04VR-AN maker: JST

